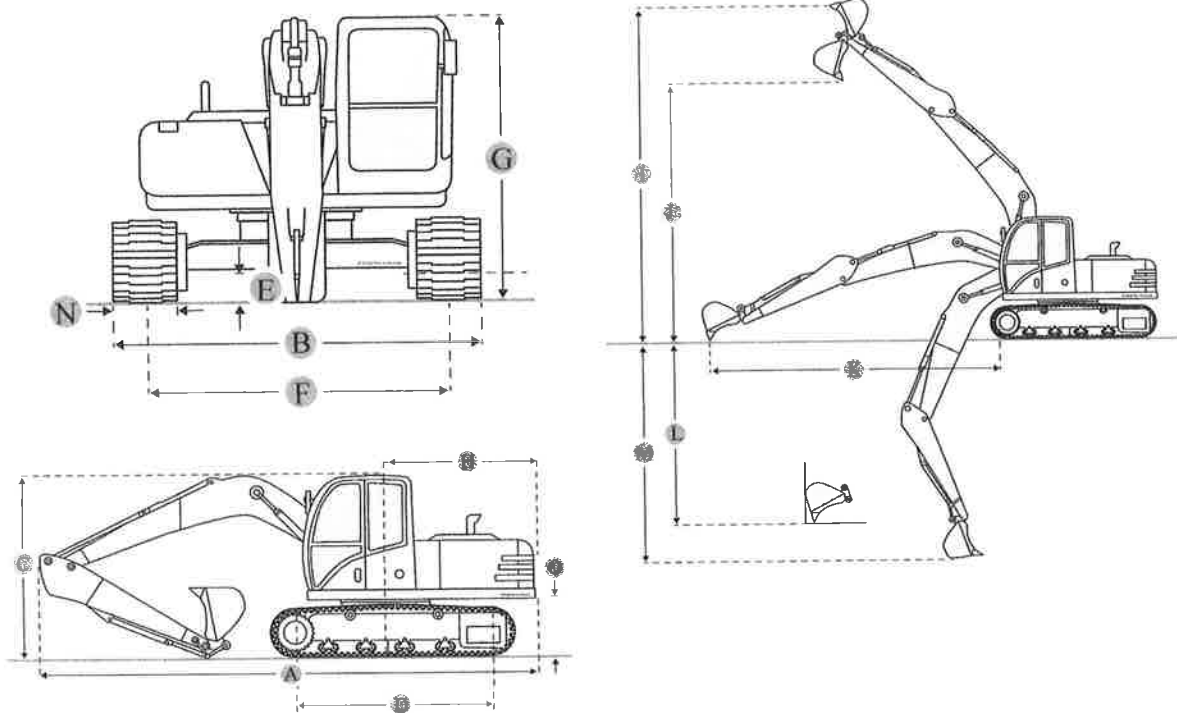


# Caterpillar 345B Hydraulic Excavator



Units

## Dimensions

Boom/Stick Option (Hex) 1

A	Shipping Length Of Unit	38.49 ft in
C	Shipping Height Of Unit	11.42 ft in
I	Max Cutting Height	35.5 ft in
J	Max Loading Height	6.96 ft in

K	<b>Max Reach Along Ground</b>	40.03 ft in
L	<b>Max Vertical Wall Digging Depth</b>	21.4 ft in
M	<b>Max Digging Depth</b>	27.17 ft in
	<b>Boom/Stick Option (Hex) 1</b>	reach boom w/ stick 3900mm
	Boom/Stick Option (Hex) 2	
A	<b>Shipping Length Of Unit</b>	38.49 ft in
I	<b>Max Cutting Height</b>	35.37 ft in
C	<b>Shipping Height Of Unit</b>	11.42 ft in
J	<b>Max Loading Height</b>	9.13 ft in
K	<b>Max Reach Along Ground</b>	38.26 ft in
L	<b>Max Vertical Wall Digging Depth</b>	21.53 ft in
M	<b>Max Digging Depth</b>	25.04 ft in
	<b>Boom/Stick Option (Hex) 2</b>	reach boom w/ stick 3350mm
	Boom/Stick Option (Hex) 3	
A	<b>Shipping Length Of Unit</b>	38.49 ft in
I	<b>Max Cutting Height</b>	34.78 ft in
J	<b>Max Loading Height</b>	10.44 ft in
C	<b>Shipping Height Of Unit</b>	11.42 ft in
K	<b>Max Reach Along Ground</b>	37.05 ft in
L	<b>Max Vertical Wall Digging Depth</b>	18.8 ft in
M	<b>Max Digging Depth</b>	23.73 ft in
	<b>Boom/Stick Option (Hex) 3</b>	reach boom w/ stick 2900mm
	Boom/Stick Option (Hex) 4	
A	<b>Shipping Length Of Unit</b>	37.34 ft in
C	<b>Shipping Height Of Unit</b>	12.08 ft in
I	<b>Max Cutting Height</b>	33.7 ft in

J	<b>Max Loading Height</b>	9.16 ft in
K	<b>Max Reach Along Ground</b>	36.16 ft in
M	<b>Max Digging Depth</b>	23.23 ft in
	<b>Max Vertical Wall Dig Depth</b>	18.48 ft in
	<b>Boom/Stick Option (Hex) 4</b>	mass boom w/ stick 3000mm
	<b>Boom/Stick Option (Hex) 5</b>	
A	<b>Shipping Length Of Unit</b>	37.34 ft in
C	<b>Shipping Height Of Unit</b>	12.08 ft in
I	<b>Max Cutting Height</b>	33.34 ft in
J	<b>Max Loading Height</b>	10.47 ft in
K	<b>Max Reach Along Ground</b>	34.98 ft in
M	<b>Max Digging Depth</b>	21.92 ft in
	<b>Max Vertical Wall Dig Depth</b>	16.38 ft in
	<b>Boom/Stick Option (Hex) 5</b>	mass bomo w/ stick 2500mm
<b>Dimensions</b>		
E	<b>Ground Clearance</b>	1.68 ft in
G	<b>Height To Top Of Cab</b>	10.44 ft in
B	<b>Width To Outside Of Tracks</b>	10.96 ft in
D	<b>Length Of Track On Ground</b>	13.23 ft in
H	<b>Tail Swing Radius</b>	11.85 ft in
	<b>Removal Counterweight Clearance</b>	4.24 ft in
<b>Undercarriage</b>		
F	<b>Track Gauge</b>	8.99 ft in
N	<b>Shoe Size</b>	23.63 in
	<b>Drawbar Pull</b>	72400 lb
	<b>Max Travel Speed</b>	2.74 mph

## Specifications

### Engine

<b>Engine Make</b>	2236
<b>Engine Model</b>	3176CATAAC
<b>Gross Power</b>	290 hp
<b>Displacement</b>	628.6 cu in

### Operational

<b>Operating Weight</b>	94798.8 lb
<b>Fuel Capacity</b>	158.6 gal
<b>Hydraulic System Relief Valve Pressure</b>	4980 psi
<b>Hydraulic Pump Flow Capacity</b>	169.1 gal/min